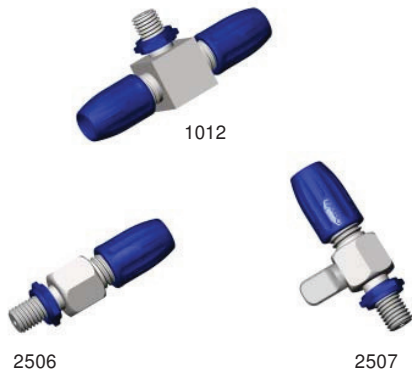


Variable Bore Adaptors

- 50 psi pressure rating
- 1.5mm (.062") bore size
- Chemically inert all-PTFE body
- Polypropylene caps



Omnifit variable bore adaptors allow any size of tubing between 0.5 and 4mm O.D. to be connected to a 1/4"-28 UNF port via the 'Omnifit Cap'. The valved version has a Tefzel® rotor. Each adaptor has a male 1/4"-28 UNF thread that will fit any female 1/4"-28 UNF threaded port.

| Part Number | Description | Pack Size |
|-------------|---|-----------|
| 1012 | 3-way 'T' variable bore connector to male 1/4"-28 | 1 |
| 2506 | 1/4"-28 to variable bore | 1 |
| 2507 | 1/4"-28 to variable bore with valve | 1 |

Couplings

- Excellent chemical resistance
- Polypropylene, PEEK™ or Tefzel®
- Convert different thread sizes



Omnifit threaded couplings are a useful range of 'problem solving' parts that enable you to convert thread sizes quickly and easily.

Omnifit couplings are available that accept a 1/4"-28 UNF male fitting at one end and convert this to a range of male and female thread types including: 1/4"-28 UNF female, 10-32 female, 3/8" NPT male, 1/8" NPT male, 1/8" BSPT male and M6.

| Part Number | Description | Pack Size |
|-------------|--|-----------|
| 2301 | Polypropylene two-way coupling | 1 |
| 2302 | Tefzel® two-way coupling | 1 |
| 2306 | PEEK™, 1/4"-28 Female to 10-32 Female | 1 |
| 2352 | PEEK™, 1/4"-28 Female to M6 Male | 1 |
| 2354 | PEEK™, 1/4"-28 Female to 1/8" NPT Male | 1 |
| 2356 | PEEK™, 1/4"-28 Female to 3/8" NPT Male | 1 |
| 2357 | PEEK™, 1/4"-28 Female to 1/8"BSPT Male | 1 |

Trademarks:

Omnifit™ is a trademark of Diba Industries Ltd.
 PEEK™ is a trademark of Victrex plc
 Tefzel® Viton® are registered trademarks of E.I. du Pont de Nemours and Company
 Rev. 0205

Diba Industries Inc., 4 Precision Road, Danbury CT 06810 USA
 t: (203) 744 0773 f: (203) 744 0525 e: sales@dibaind.com

Diba Industries Ltd., 2 College Park, Coldhams Lane, Cambridge CB1 3HD UK
 t: +44 (0) 1223 472801 f: +44 (0) 1223 416787 e: sales@dibaind.com

Registered in England No. 1138135 VAT Registration No. GB214 4798 56